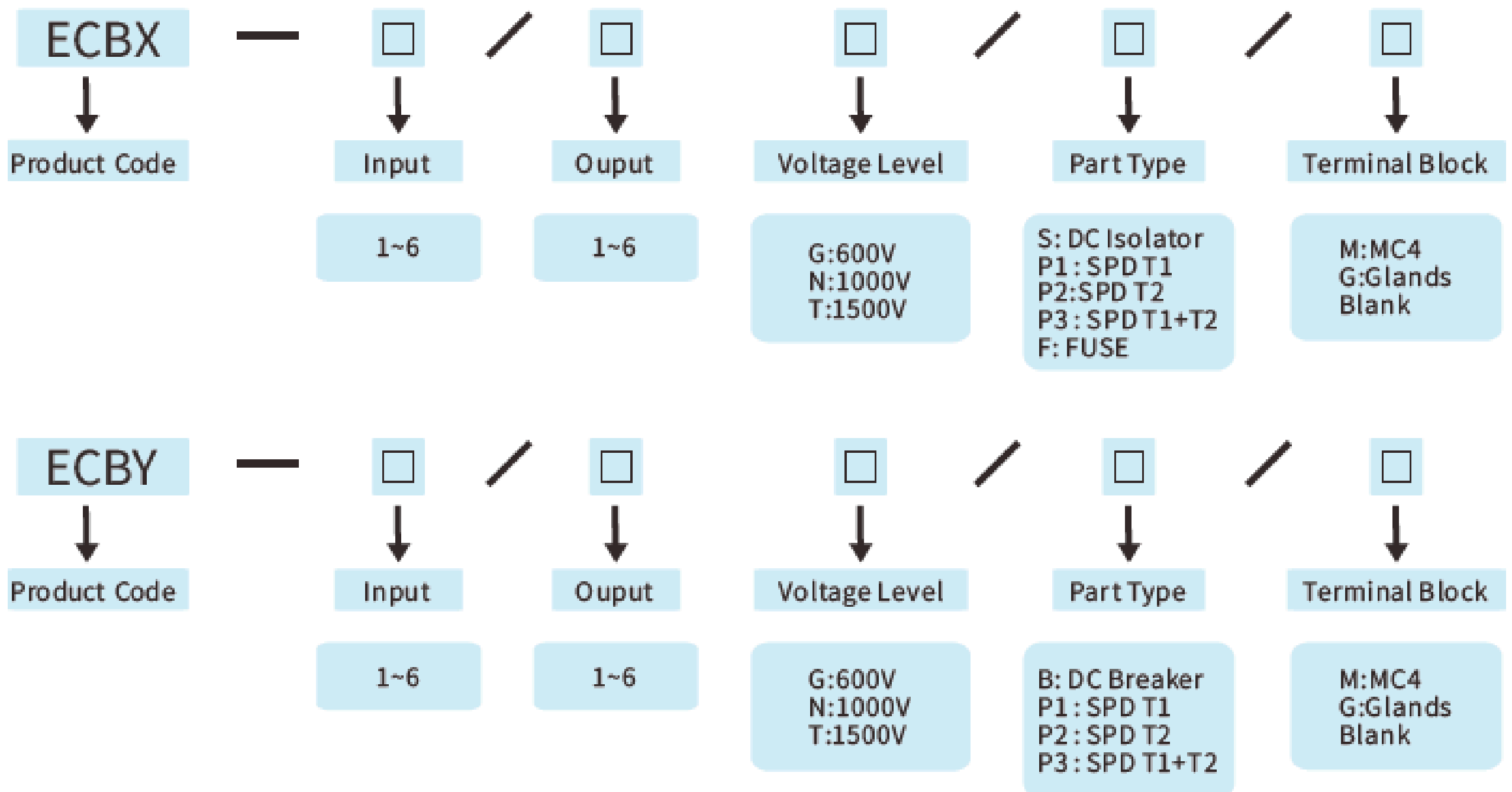




PV Combiner Box

ECB Series

Select Code



Combiner Box Case Introduction

ECBX 2 INPUT 1 OUTPUT 1000VDC

Product Application

Suitable for PV system, equipped with a surge protector and an isolator, providing isolation, leakage and grounding protection.

DC Surge Arrester

EDPN40-3 / EDPAN40-3

- Max Operation Voltage 1000V
- Standard Compliance with EN50539 Type2 / Type1+2
- Maximum Discharge Current 40 KA
- Certification TUV,CB,CE

DC Fuse

EDFHN-30

- LED Indicator or without LED indicator
- Rated Working Voltage 1000V
- Fuse Link 10x38mm 15A
- Certification TUV,CE

DC Switch Disconnecter

EDS1DB/N

- Rated Insulation Voltage 1000V
- Rated Current 32A
- Certification TUV,CB,SAA,CE



Technical Data

Specification		Wiring diagram
	2-1	
Input	2 strings	
Output	1 strings	
Max Voltage	1000V	
Max DC Short Circuit Current Per Input	15A(Changeable)	
Max Current Output	32A	
Enclosure	FCDB-EUS	
Material	PC	
Degree of Protection	IP65	
Impacts	IK10	
Dimensions	BX-12: L273*W215*H118mm	
Cable input Entry	PG09 Cable Gland, 2.5-16mm ²	
Output Cable Gland	PG21,2.5-16mm ²	
Environment		
Operating temperature	-20°C- +60°C	
Humidity	99%	
Altitude	2000M	
Installation	Wall Mounting	

ECBY 3 INPUT 3 OUTPUT 600VDC/ 1000VDC

Product Application

IP65 DC string box is designed for 3 string PV system. For surge protection and current protection at solar DC side.

DC Breaker

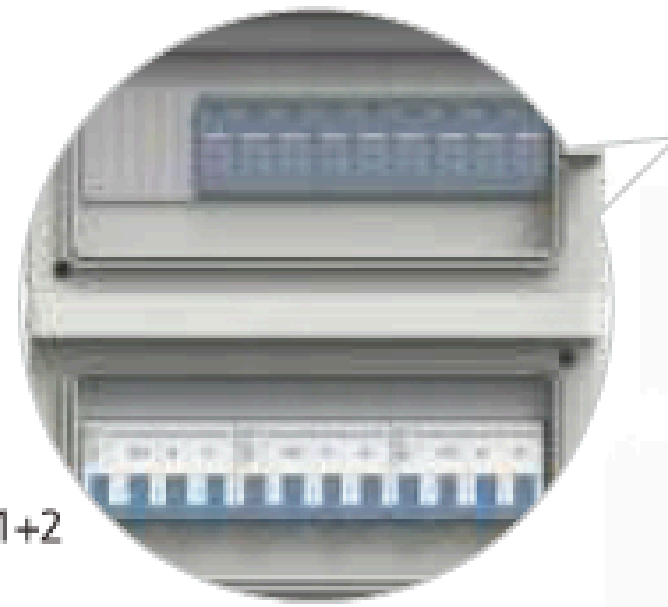
EDB1-63

- UL489B design, IEC 60947-2 PV&DC
- standard
- Overload, short circuit Protection
- Non Polarity for easier wiring

DC Surge Arrester

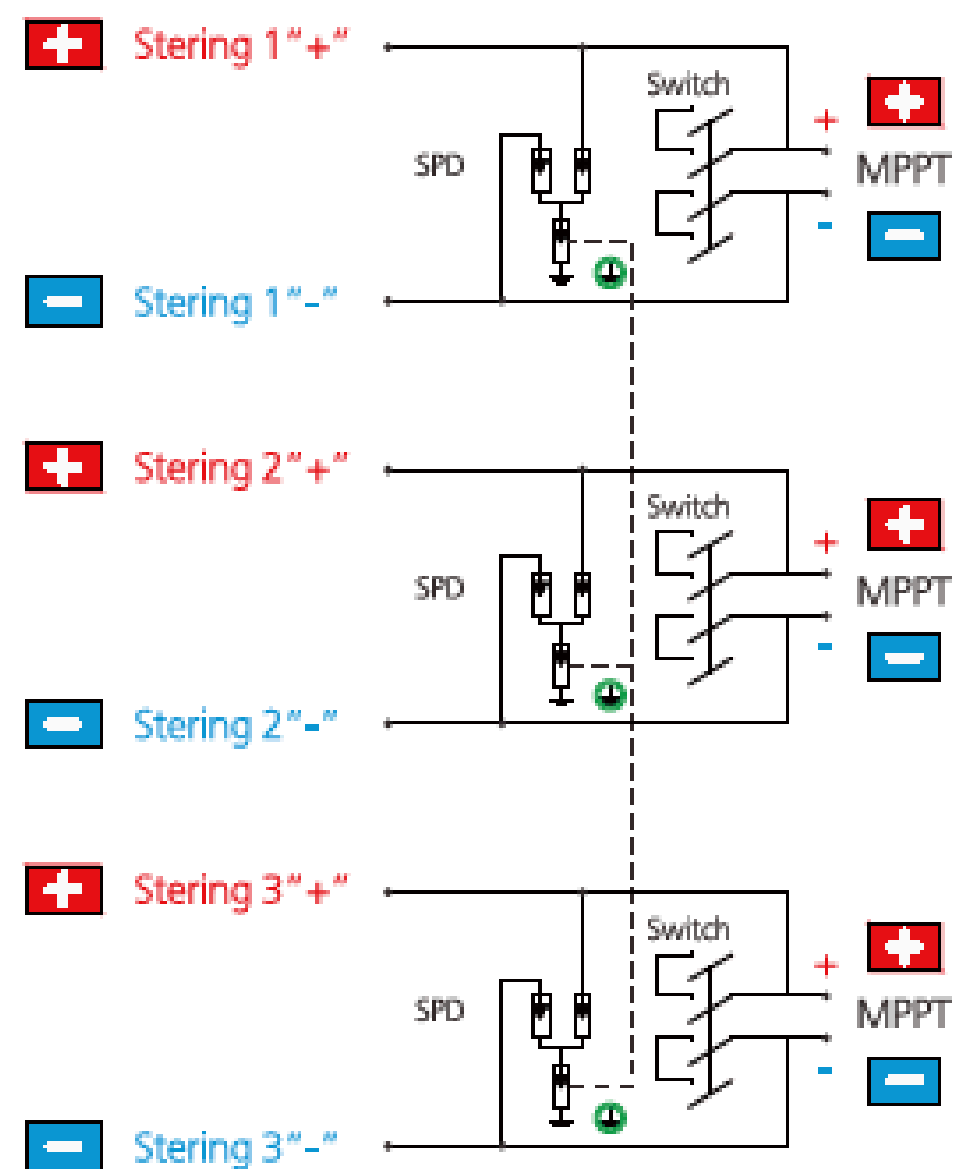
EDPN40-3 / EDPAN40-3

- Max Operation Voltage 1000V
- Standard Compliance with EN50539 Type2 / Type1+2
- Maximum Discharge Current 40 KA
- Certification TUV, CB, CE



Technical Data

Specification			Wiring diagram	
	3-3			
Input	3 strings			
Output	3 strings			
Max Voltage	600V	1000V		
Rated Current of DC Breaker	40A	40A		
Max Current Output	63A	40A		
Enclosure			FCDB-EUS	
Material	PC			
Degree of Protection	IP65			
Impacts	IK10			
Dimensions	BX-24: L273*W365*H118mm			
Input Cable Glands	PG09,2.5-16			
Output Cable Gland	PG21,2.5-16			
Environment				
Operating temperature	-20°C- +60°C			
Humidity	99%			
Altitude	2000M			
Installation	Wall Mounting			



For more detailed models and parameters, please refer to the electronic leaflet, looking forward to your consultation. We can customize according to your needs, welcome your inquiry.